

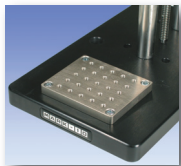
The compact ES05 test stand is designed for compression testing of up to 30 lbf (150 N). Typical applications include switch contact activation testing, small spring testing, peel testing, and more. A spring-loaded lever allows for repeatable testing with up to 1.5" (38 mm) displacement. The lever mechanism can be repositioned along the length of the column, allowing this stand to be used for various sized samples.

The ES05's small footprint makes it particularly well suited to crowded workbenches, while its low weight makes it very portable for field auditing or for quick transportation to other testing areas.

Specifications

Load capacity:	30 lbf [150 N]
Loading method:	Spring-loaded lever
Maximum travel:	1.5 in [38 mm]
Warranty:	3 years (see individual statement for details)

Optional Equipment



Base plate AC1060 Contains 25 #10-32 threaded holes for fixture mounting



The ES05 is shown in a switch contact activation test, with Series 5 digital force gauge, extension rod and rubber tip attachment.

In The Box

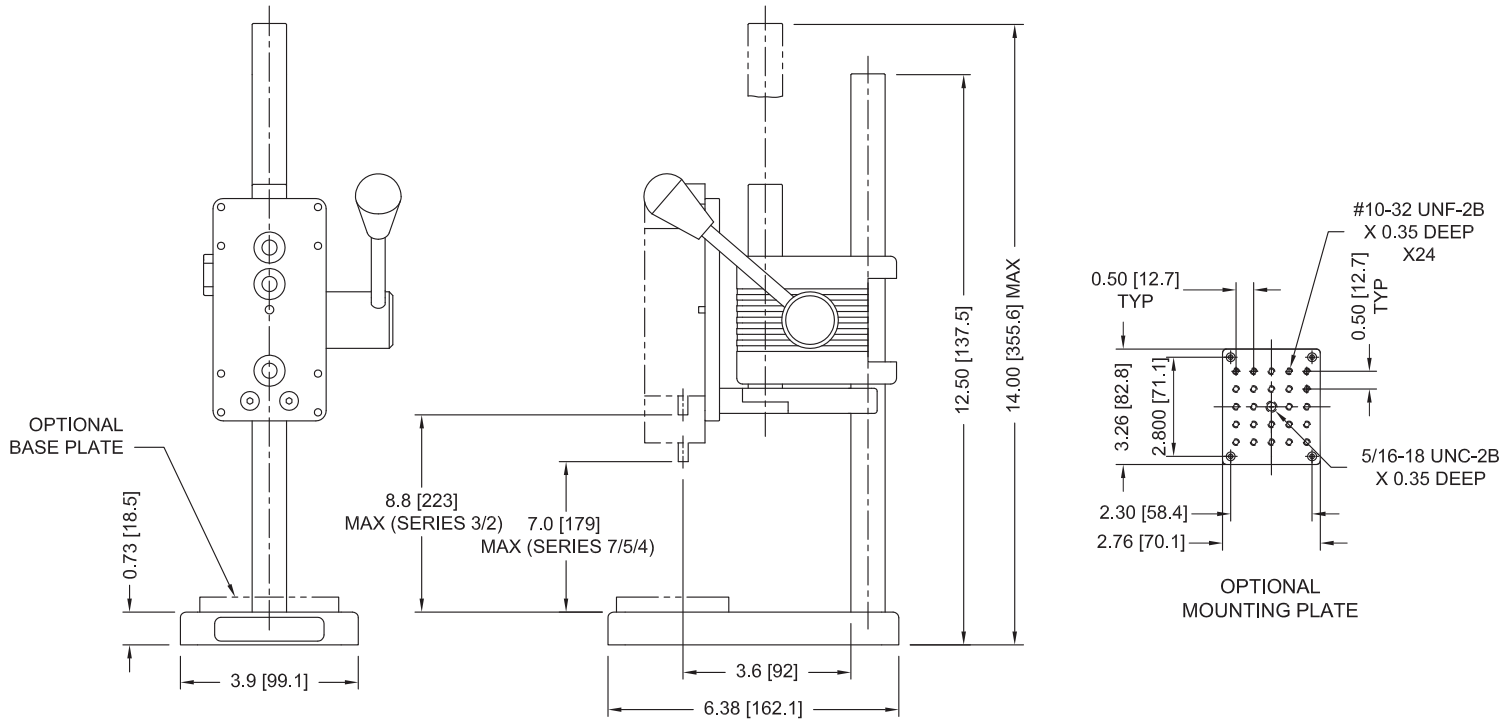
The ES05 test stand is shipped as shown at left, and includes the following accessories:

- (1) Allen wrench set
- (4) Thumb screw for force gauge
- (1) Resource CD



Dimensions

in [mm]



Ordering Information

Model No.	Description
ES05	Test stand, lever-operated, 30 lbf
AC1060	Base plate, threaded holes