

OPACIMETER BNL-3

MEASUREMENT OF TAPPI OPACITY

FEATURES

- ✓ Push-Button calibration allows the operator to calibrate with a push of a single button
- ✓ Proven optics system for consistent and repeatable data
- ✓ Opal glass calibration standards
- ✓ Digital panel meter readout for instantaneous data display
- ✓ BCD parallel output for printer interfacing
- ✓ One year warranty of all parts and factory labor (excluding lamps)

STANDARDIZATION

Technidyne specializes in instrumentation for pulp, paper and allied industries. The BNL-3 is designed and manufactured in exact compliance with TAPPI standards. Technidyne's refusal to compromise provides its customers with absolute assurance of adherence to Pulp and Paper Standards.

The BNL-3 Meets:

- TAPPI Official Test Method T425 (Opacity Measurement)
- ASTM Standard D589 (Opacity Measurement)

- Flexible Packaging Association Specification B-8

Specifications

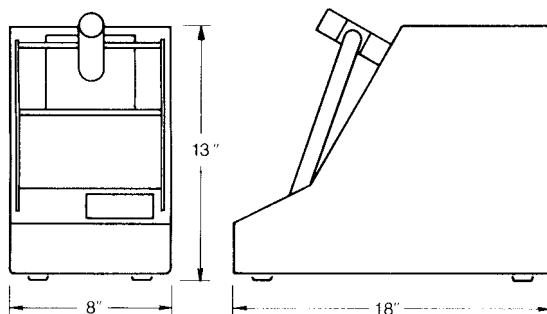
Optical Geometry – 15°/diffuse
Specimen Opening – Circular 15.9 ± 0.13mm dia
Measurement Area – Circular 9.5 ± 0.5mm dia
Spectral Response – CIE Y_a function
Effective Wavelength – 572nm
Lamp Rating – 2000 hours
Repeatability – ± 0.1%
Reproducibility – ± 0.3%

Power Requirements

100 – 130 VAC, 50 – 60 Hz, 70 Watts
200 – 250 VAC, 50 – 60 Hz, 70 Watts

Weight

Net Weight (unpacked) – 27 lbs. (12 Kg)
Gross Weight (packed) – 35 lbs. (16 Kg)
Gross Weight (packed for export) – 45 lbs. (20 Kg)



ALSO AVAILABLE

Opacity Standards – set of 4 Opal Glass standards ranging from 75 to 95 with storage case and calibration certificate

Option OPTEAB25 – Absolute reflectance standard

Option 3A – Automatic Averaging Printer Model AP-1 for hard copy data printouts