

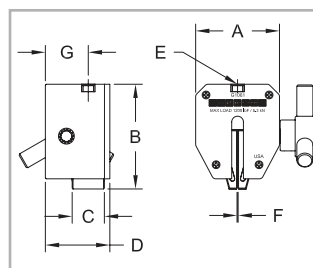
All dimensions shown as in [mm]

Tensile / Pull

Wedge grips

Heavy-duty grips designed for a range of tensile testing requirements up to 2,000 lbF [10 kN]. Self-tightening stainless steel serrated or rubber jaw faces engage the sample through a spring loaded knob and rack and pinion type mechanism. The jaws ride on rollers, eliminating jamming common in conventional wedge grips.

| Model No. | A | B | C | D | E | F | G |
|-----------|----------------|----------------|----------------|----------------|----------------|-----------------------|----------------|
| G1061-1 | 1.95 [49.5] | 2.45 [62.2] | 0.375 [9.5] | 0.95 [24.1] | 5/16-18 UNC | 0 - 0.25 [0 - 6.4] | 0.62 [15.7] |
| G1061 | | | 0.75 [19.1] | 1.50 [38.1] | 5/16-18 UNC | | 1.00 [25.4] |
| G1061-2 | | | 1.00 [25.4] | 1.75 [44.5] | 1/2-20 UNC | 0 - 0.20 [0 - 5.1] | 1.13 [28.7] |
| G1061-3 | | | | | | | |



| Model No. | Capacity lbF [N] | Weight lb [kg] | Jaw Material / Hardness | Included Adapters |
|-----------|------------------|----------------|-----------------------------------|--|
| G1061-1 | 200 [900] | 0.50 [0.23] | 416 SS / 55 RC | 5/16-18M to #10-32F, #10-32 M/M stud*, 5/16-18 M/M stud* |
| G1061 | 1200 [5,300] | 0.80 [0.36] | | |
| G1061-2 | 2,000 [9,000] | 0.90 [0.41] | Neoprene rubber Durometer = 70 | 1/2-20M to 5/16-18F, 1/2-20 M/M stud*, 5/16-18 stud* |
| G1061-3 | 50 [250] | | | |



* Includes jam nuts

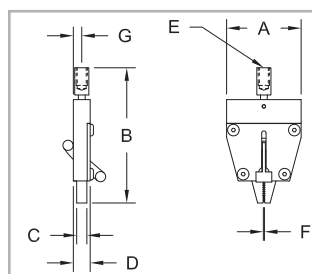
Miniature wedge grip

For general low force pull testing applications. The serrated, self tightening steel jaws are easily opened with a spring-loaded lever.

| A | B | C | D | E | F | G |
|----------------|----------------|---------------|---------------|---------------|-----------------------|---------------|
| 1.37 [34.8] | 2.49 [63.1] | 0.19 [4.8] | 0.32 [8.1] | #10-32 UNF | 0 - 0.09 [0 - 2.3] | 0.15 [3.9] |

| Model No. | Capacity lbF [N] | Weight lb [kg] |
|-----------|------------------|----------------|
| G1062 | 100 [500] | 0.08 [0.04] |

Includes a #10-32 M/M stud with jam nuts

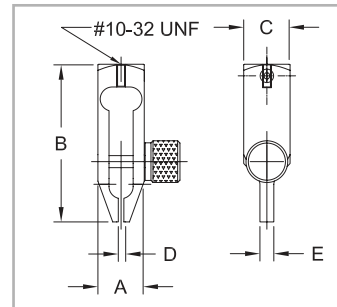


Miniature component grip

For testing small and hard-to-reach electronic and mechanical components. Slender profile allows this grip to be used in a wide range of applications.

| Model No. | Capacity lbF [N] | Weight lb [kg] | A | B | C | D | E |
|-----------|------------------|----------------|------------|------------|------------|--------------------|------------|
| G1003 | 30 [150] | 0.05 [0.02] | 0.5 [12.7] | 1.7 [43.2] | 0.5 [12.7] | 0 - 0.07 [0 - 1.8] | 0.15 [3.8] |

Includes a #10-32 M/M stud with jam nuts

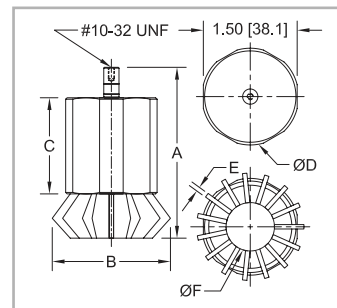


Multi-jaw grip

For gripping round or odd shaped items. Jaws expand and retract by rotating the housing.

| Model No. | Cap. lbF [N] | Weight lb [kg] | ØA | B | C | ØD | E | ØF |
|-----------|--------------|----------------|-------------|-----------------|-------------|-------------|--------------|---------------------------|
| G1056 | 100 [500] | 0.30 [0.14] | 3.50 [88.9] | 2.30 [58.4] MAX | 1.63 [41.4] | 1.55 [39.4] | 0.075 [1.91] | 0.40 - 1.25 [10.2 - 31.7] |

Includes a #10-32 M/M stud with jam nuts

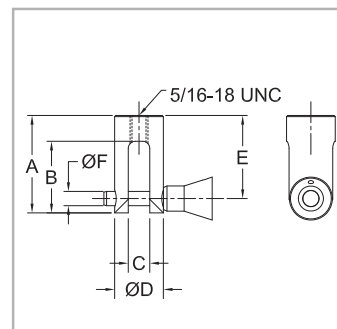


Clevis grip

This grip is designed for ergonomic assessment, spring testing, and other pull testing applications.

| Model No. | Capacity lbF [N] | Weight lb [kg] | A | B | C | D | E | ØF |
|-----------|------------------|----------------|-------------|-------------|------------|-------------|-------------|------------|
| G1077 | 500 [2,500] | 0.29 [0.13] | 1.70 [43.2] | 1.25 [31.8] | 0.38 [9.7] | 0.85 [21.6] | 1.45 [36.8] | 0.25 [6.3] |

Includes a 5/16-18M to #10-32F thread adapter, 5/16-18 M/M stud with jam nuts, and #10-32 M/M stud with jam nuts

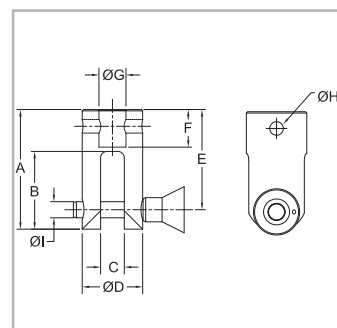


High capacity clevis grip

This high capacity grip is designed for spring testing and pulling testing applications. Integrated eye end.

| Model No. | Capacity lbF [kN] | Weight lb [kg] |
|-----------|-------------------|----------------|
| G1090 | 2,000 [9] | 0.78 [0.35] |

| A | B | C | ØD | E | F | ØG | ØH | ØI |
|-------------|-------------|-------------|-------------|-------------|-------------|-------------|------------|------------|
| 2.77 [70.4] | 1.80 [45.7] | 0.55 [14.0] | 1.40 [35.6] | 2.32 [58.9] | 0.87 [22.1] | 0.63 [15.9] | 0.32 [8.0] | 0.38 [9.7] |



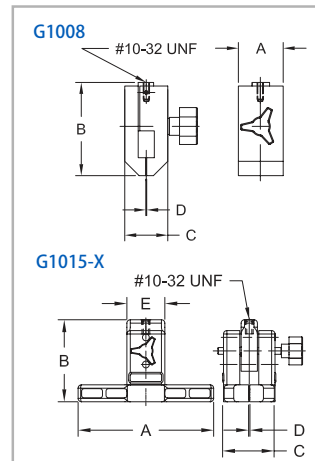
Packaging / Peel / Friction

Film and paper grips

For gripping film, paper, and other thin materials for tensile and peel testing. Adjustable serrated interlocking jaws grip the sample securely.

| Model No. | Capacity lbF [N] | Weight lb [kg] | A | B | C | D |
|-----------|------------------|----------------|--------------|-------------|-------------|---------------------|
| G1008 | | 0.31 [0.14] | 1.25 [31.8] | 2.50 [63.5] | 1.2 [30.5] | 0 - 0.15 [0 - 3.8] |
| G1015-1 | 100 [500] | 0.65 [0.29] | 3.00 [76.2] | | | |
| G1015-2 | | 0.80 [0.36] | 5.00 [127.0] | 3.00 [76.2] | 1.90 [48.3] | 0 - 0.50 [0 - 12.7] |
| G1015-3 | | 0.90 [0.41] | 7.00 [177.8] | | | |

Includes a #10-32 M/M stud with jam nuts

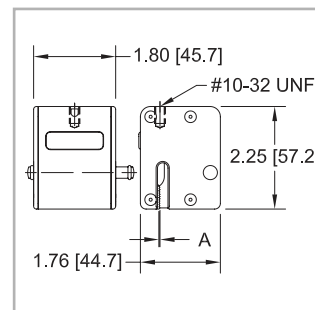


Pneumatic film and paper grip

Fully enclosed, air-powered grip for seal strength testing of packaging, elongation testing of various materials, and other tensile testing requirements. Serrated interlocking jaws effectively grip samples for up to 100 lbF of force. The grip features a unique integrated open/close valve for quick sample engagement and disengagement. An air connection kit, consisting of tubing and fittings needed to connect two grips, is available separately. A membrane repair kit is also available. See below.

| Model No. | Capacity | Weight lb [kg] | Max. pressure PSI (MPa) | Air input thread | A |
|-----------|---------------------------------------|----------------|-------------------------|------------------|--------------------|
| G1046 | 100 lbF [500 N] at 100 PSI [0.86 MPa] | 0.58 [0.26] | 125 [0.86] | #10-32 UNF | 0 - 0.13 [0 - 3.3] |

Includes a #10-32 M/M stud with jam nuts, one spare rubber membrane*, one alcohol wipe, and two cotton swabs



The optional air connection kit consists of:



- Coiled tubing, 1/8" OD, 1/16" ID, 8" retracted length (qty. 2)
- Y-splitter (qty. 1)
- Straight tubing, 1/8" OD, 1/16" ID, 5' length (qty. 1)
- Elbow fitting, tubing termination (qty. 2)
- Elbow fitting, tubing to #10-32M (qty. 1)
- Thread adapter, #10-32F to 1/4" NPT M (qty. 1)
- Adhesive-backed guide (qty. 4)

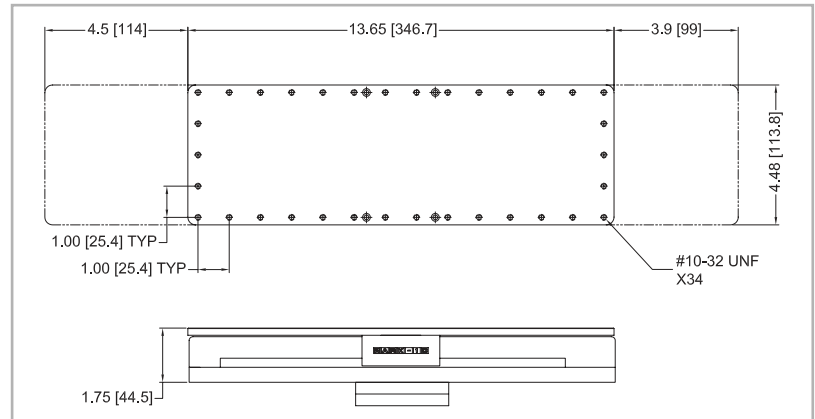
The optional maintenance kit* consists of:

1. Rubber membrane (qty. 5)
2. Alcohol wipe (qty. 5)
3. Cotton swab (qty. 12)
4. Wrench set

* The flexible internal membrane actuating the movable jaw has a variable life expectancy dependent upon the maximum air pressure used and the quality of the compressed air. It should be free from impurities, solvents and oils. Since field conditions are outside of Mark-10's control, the standard 3-year warranty does not apply to the flexible membrane. For convenience, a spare membrane and alcohol wipe is included with every new grip. A membrane repair kit may be purchased from Mark-10.

90° peel fixture

For testing adhesive strength. Maintains a 90° angle between the table and direction of pull. Optional limit switch stops travel on a motorized test stand, preventing cable breakage. Maximum load of 5 lbf [25 N].



◀ G1045-1 optional limit switch

| Model No. | Description |
|-----------|------------------------|
| G1045 | 90° peel fixture |
| G1045-1 | Limit switch for G1045 |

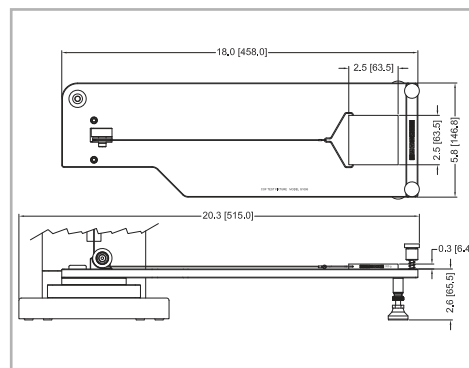
Includes mounting hardware and adapters to mount to the ESM303, ESM1500/750 (w/AC1055 plate), and ES30 test stands. Recommended for use with a motorized test stand.

Coefficient of friction fixture

For determining friction properties of paper, film, and other thin flexible materials. Conforms to ASTM D1894 and other relevant standards. Includes work table, 200 g sled, cable, and low-friction pulley. Static and kinetic coefficients can be measured using the M5-2-COF gauge.

| Model No. | Description |
|-----------|---------------------------------|
| G1086 | Coefficient of friction fixture |

Includes mounting hardware and adapters to mount to the ESM303 test stand. Recommended for use with a motorized test stand.



Score bending fixture

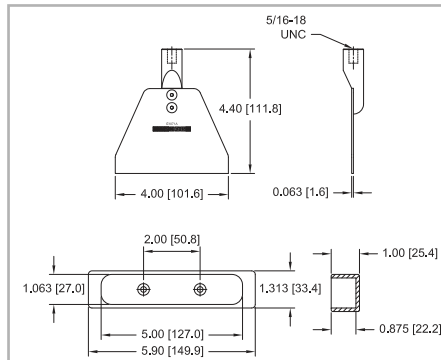
Used to produce a 90° bend in fiber board materials and plastics to conform to TAPPI standard T829. Set of upper and lower dies.

| Model No. | Capacity lbF [N] | Weight lb [kg] |
|-----------|------------------|--|
| G1071 | 50 [250] | Upper die: 0.15 [0.67] Lower die: 0.30 [0.14] |

Upper die includes a 5/16-18M to #10-32F thread adapter and #10-32 M/M stud with jam nuts.

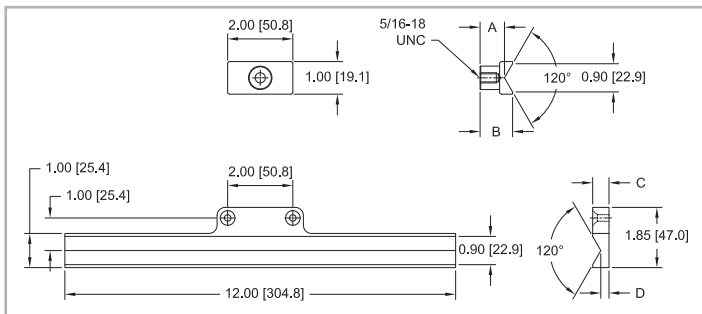
Lower die includes mounting hardware for the following test stands: ESM303, ESM1500/750 (w/AC1055 plate), ES30, TSC1000, TSF, ES10/ES20 (w/AC1060 plate).

Recommended for use with a motorized test stand.



Opening force fixture

Used to determine the opening force of flat folded cartons along score lines. Set of upper and lower dies.



| Model No. | Capacity lbF [N] | Weight lb [kg] | A | B | C | D |
|-----------|------------------|--|-------------|-------------|-------------|------------|
| G1072 | 50 [250] | Upper die: 0.06 [0.03] Lower die: 0.10 [0.05] | 0.75 [19.1] | 1.00 [25.4] | 0.50 [12.7] | 0.25 [6.4] |

Upper die includes a 5/16-18M to #10-32F thread adapter and #10-32 M/M stud with jam nuts.

Lower die includes mounting hardware for the following test stands: ESM303, ESM1500/750 (w/AC1055 plate), ES30, TSC1000, TSF, ES10/ES20 (w/AC1060 plate). Recommended for use with a motorized test stand.

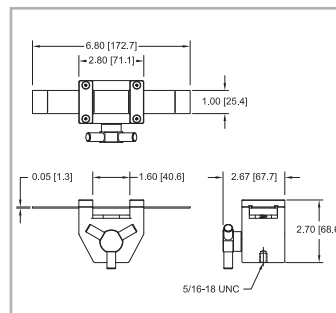
Loop tack fixture

Designed for tack force testing of pressure-sensitive adhesives, in conformance with ASTM D6195 and related standards. A looped sample is loaded onto the test strip, and the closed end of the loop is secured by an upper grip (not included - suggested model: G1008, pictured below). The test strip may be indexed in three positions, allowing for three tests to be performed between cleaning cycles.

| Model No. | Capacity lbF [N] | Weight* lb [kg] | Test strip material |
|-----------|------------------|-----------------|------------------------|
| G1098 | 100 [500] | 1.10 [0.5] | T304 SS, per ASTM A666 |

* Including one test strip

Includes a 5/16-18 M/M stud with jam nuts.

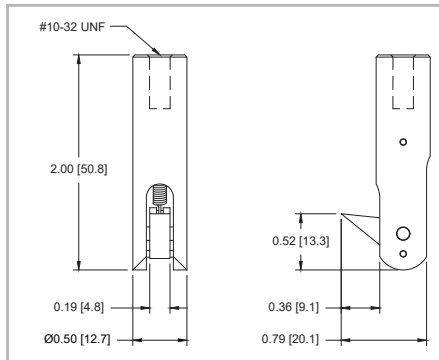


Flip Cap Pull Grip

Designed to engage the tab on a flip cap for pull-off force measurements. A spring-loaded hook retracts as it is lowered into the starting position, then snaps into place below the tab.

| Model No. | Capacity lbF [N] | Weight lb [kg] |
|-----------|------------------|-------------------|
| G1104 | 20 lbF [100 N] | 0.10 lb [0.04 kg] |

Includes a #10-32 M/M stud with jam nuts

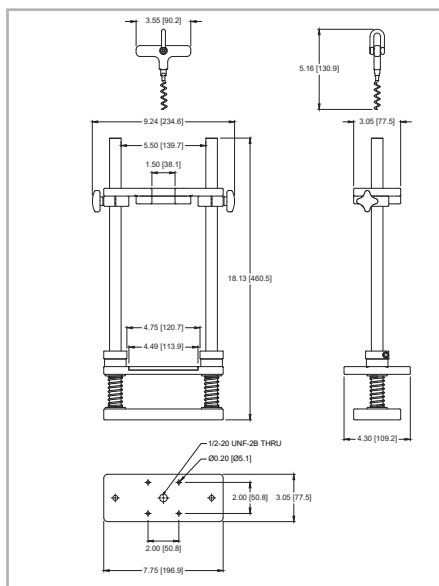


Cork Pull Fixture

Designed to extract a cork stopper out of a bottle for pull force measurements, in conformance with ISO 9727.

| Model No. | Capacity lbF [N] | Weight lb [kg] |
|-----------|------------------|-----------------|
| G1105 | 200 lbF [1000 N] | 9.5 lb [4.3 kg] |

Includes a G1035 large hook, G1018-2 swivel adapter, and test stand mounting hardware. Recommended for use with a motorized test stand.



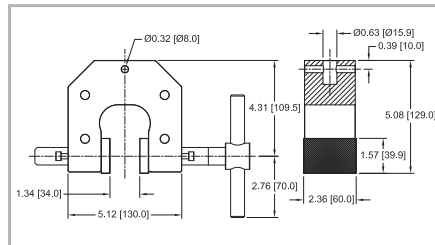
Vise / Parallel Jaw

Parallel jaw / vise-action grip, large

For general tensile and pull testing applications. Includes an adjustable stop to ensure consistent sample placement. Integrated eye end.

| Model No. | Capacity lbF [kN] | Weight lb [kg] | Housing Material | Jaw Material |
|-----------|-------------------|----------------|------------------|-----------------------|
| G1100 | 2,000 [9 k] | 5.9 lb [2.7] | Aluminum | Hardened steel, 58 RC |

3.94 in [100.0 mm] extended length jaws are available. See website for details.

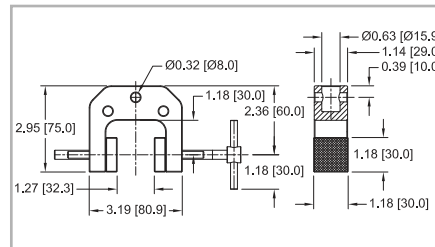


Parallel jaw / vise-action grip, medium

For general tensile and pull testing applications. Integrated eye end.

| Model No. | Capacity lbF [N] | Weight lb [kg] | Housing Material | Jaw Material |
|-----------|------------------|----------------|------------------|-----------------------|
| G1101 | 200 [1,000] | 1.0 lb [0.5] | Aluminum | Hardened steel, 58 RC |

Extended length jaws are available: 1.97 in [50.0 mm], 3.15 in [80.0 mm], 3.94 in [100.0 mm]. See website for details.

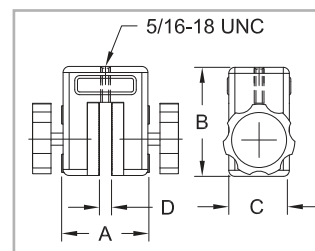


Parallel jaw / vise-action grip

For general tensile and pull testing applications.

| Model No. | Capacity lbF [N] | Weight lb [kg] | A | B | C | D |
|-----------|------------------|----------------|-------------|-------------|-------------|--------------------|
| G1013 | 200 [1,000] | 0.65 [0.29] | 1.75 [44.5] | 2.25 [57.2] | 1.25 [31.8] | 0 - 0.25 [0 - 6.3] |

Includes a 5/16-18M to #10-32F adapter and #10-32 M/M stud with jam nuts



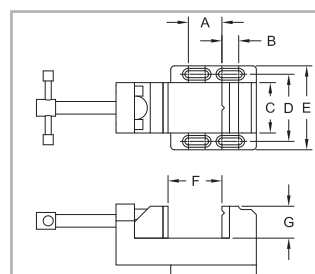
Vise grip, standard

General purpose vise, for a wide range of tension and compression testing applications.

| Model No. | Capacity lbF [N] | Weight lb [kg] |
|-----------|------------------|----------------|
| G1074 | 500 [2,500] | 2.0 [0.9] |

| A | B | C | D | E | F | G |
|-------------|-------------|-------------|-------------|-------------|---------------------|-------------|
| 1.00 [25.4] | 0.50 [12.7] | 1.50 [38.1] | 2.00 [50.8] | 2.50 [63.5] | 0 - 1.50 [0 - 38.1] | 1.00 [25.4] |

Includes mounting hardware and adapters to mount to the following test stands: ESM303, ESM1500/750 (w/AC1055 plate), ES30, TSC1000, TSF, ES10/ES20 (w/AC1060 plate)



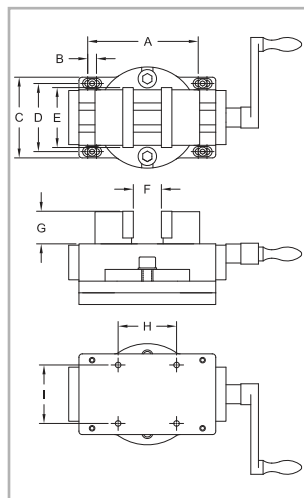
Vise grip, self-centering

General purpose vise, for a wide range of tension and compression testing applications. Self-centering, replaceable jaws can be field-modified to improve sample gripping characteristics.

| Model No. | Capacity lbF [N] | Weight lb [kg] |
|-----------|---------------------|-------------------|
| G1070 | 500 [2,500] | 5.85 [2.65] |

| A | B | C | D | E | F | G | H | I |
|----------------|---------------|----------------|----------------|----------------|------------------------|----------------|----------------|----------------|
| 3.78 [96.0] | 0.30 [7.6] | 2.76 [70.1] | 2.33 [59.2] | 2.00 [50.8] | 0 - 2.00 [0 - 50.8] | 1.12 [28.5] | 2.00 [50.8] | 2.00 [50.8] |

Includes mounting hardware and adapters to mount to the following test stands:
ESM303, ESM1500/750 (w/AC1055 plate), ES30, TSC1000, TSF, ES10/ES20 (w/
AC1060 plate).



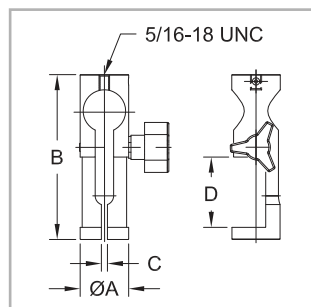
Wire / Rope / Yarn / Tubing

Wire terminal grips

For securing wire terminals, cables, connectors, and other samples for pull testing.

| Model No. | Capacity lbF [N] | Weight lb [kg] | ØA | B | C | D |
|-----------|---------------------|-------------------|----------------|----------------|-----------------------------|----------------|
| G1001 | | | | | 0 - 0.125 [0 - 3.1] | |
| G1001-1 | 200 [1,000] | 0.29 [0.13] | 1.00 [25.4] | 3.40 [86.4] | 0.125 - 0.25 [3.1 - 6.3] | 1.45 [36.8] |
| G1001-2 | | | | | 0.25 - 0.375 [6.3 - 9.5] | |

Includes a 5/16-18M to #10-32F adapter and #10-32 M/M stud with jam nuts

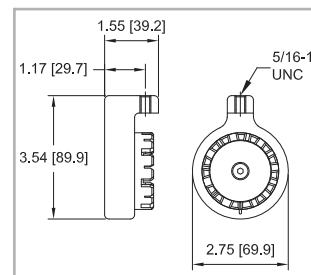


Wire terminal grip, turret style

For securing wire terminals, cables, connectors, and other samples for pull testing. Indexing wheel contains grooves of varying widths to accommodate a wide range of sample shapes and sizes.

| Model No. | Capacity lbF [N] | Groove Widths | Weight lb [kg] |
|-----------|---------------------|---|-------------------|
| G1076 | 200 [1,000] | 0.01 [0.3], 0.03 [0.7], 0.04 [1.0], 0.06 [1.5], 0.08 [2.0], 0.09 [2.3], 0.11 [2.8], 0.12 [3.0], 0.14 [3.5], 0.15 [3.8], 0.17 [4.3], 0.18 [4.5], 0.20 [5.1], 0.21 [5.3], 0.23 [5.8], 0.25 [6.3] | 1.00 [0.45] |

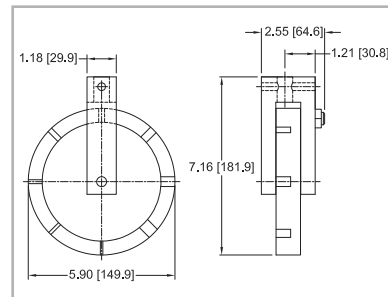
Includes a 5/16-18M to #10-32F adapter and #10-32 M/M stud with jam nuts



High capacity wire terminal grip

For securing wire terminals, cables, connectors, and other samples for pull testing. Indexing wheel contains grooves of varying widths to accommodate a wide range of sample shapes and sizes. Integrated eye end.

| Model No. | Capacity lbF [kN] | Groove Widths | Weight lb [kg] |
|-----------|-------------------|--|----------------|
| G1093 | 2,000 [9] | 0.08 [2.0], 0.12 [3.0], 0.16 [4.0], 0.20 [5.0], 0.24 [6.0], 0.31 [8.0], 0.39 [10.0], 0.46 [11.8] | 6.4 [2.9] |

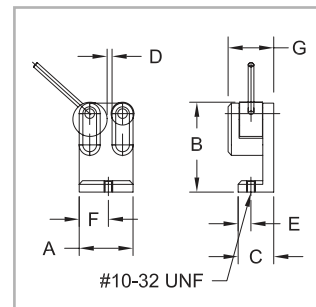


Dual roller grips

For securing the ends of wire, cable, and tubing samples for pull testing. Engaging and disengaging samples is quick and easy via an efficient cam design and convenient side slot for sample insertion. Serrated steel rollers produce effective gripping characteristics.

| Model No. | Capacity lbF [N] | Weight lb [kg] |
|-----------|------------------|----------------|
| G1002 | 200 [1,000] | 0.19 [0.09] |
| G1002-1 | | 0.24 [0.11] |

| Model No. | A | B | C | D | E | F | G |
|-----------|-------------|-------------|-------------|-------------------------|------------|-------------|------------|
| G1002 | 1.18 [30.0] | 2.00 [50.8] | 0.75 [19.1] | 0 - 0.25 [0 - 6.3] | 0.25 [6.4] | 0.64 [16.5] | 1.0 [25.4] |
| G1002-1 | 1.30 [33.0] | | | 0.10 - 0.34 [2.5 - 8.6] | | | |



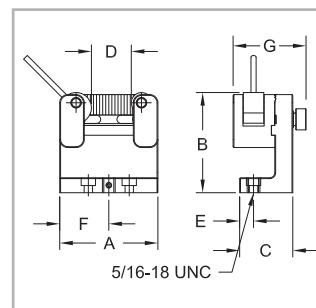
Includes a #10-32 M/M stud with jam nuts

Adjustable dual roller grip

For securing tubing, cables, and odd shaped samples for pull testing applications. Engaging and disengaging samples is quick and easy, with a side slot for sample insertion and serrated steel rollers. Rollers can be repositioned as required for the application.

| Model No. | Capacity lbF [N] | Weight lb [kg] |
|-----------|------------------|----------------|
| G1085 | 200 [1,000] | 0.51 [0.23] |

| Model No. | A | B | C | D | E | F | G |
|-----------|-------------|-------------|-------------|---------------------|------------|-------------|-------------|
| G1085 | 2.40 [61.0] | 2.45 [62.2] | 1.30 [33.0] | 0 - 1.00 [0 - 25.4] | 0.34 [8.6] | 1.20 [30.5] | 1.78 [45.3] |



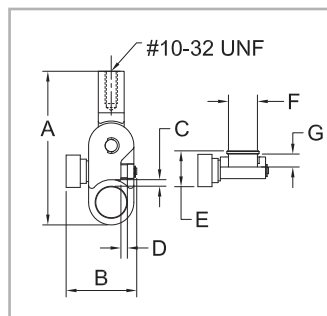
Includes a 5/16-18 M/M stud with jam nuts

Miniature filament grip

For securing small diameter wires and filaments. The sample wraps around the bollard and the loose end is secured by the adjustable jaw. Integrated swivel ensures sample alignment under load.

| Model No. | Cap. lbF [N] | Weight lb [kg] | A | B | C | D | E | F | G |
|-----------|--------------|----------------|-------------|-------------|------------|------------|-------------|--------------|------------|
| G1078 | 50 [250] | 0.06 [0.03] | 2.38 [60.4] | 1.09 [27.7] | 0.10 [2.5] | 0.10 [2.5] | 0.55 [14.1] | Ø0.45 [11.4] | 0.20 [5.1] |

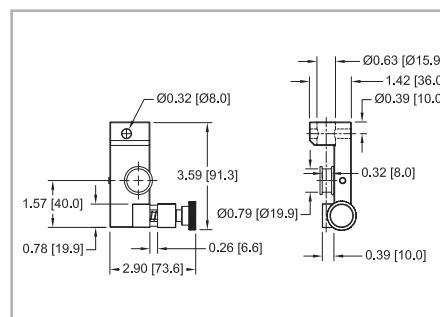
Includes #10-32 M/M stud with jam nuts



Wire / rope grip, medium

For securing wire and rope. The sample wraps around the bollard and the loose end is secured by the adjustable rubber-faced jaw. Integrated eye end.

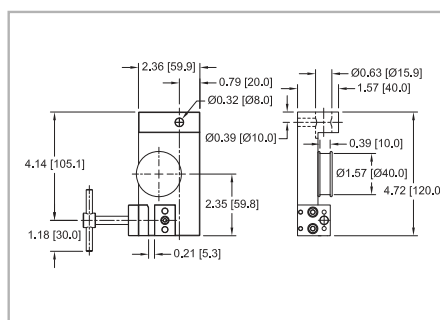
| Model No. | Capacity lbF [N] | Weight lb [kg] |
|-----------|------------------|----------------|
| G1103 | 200 [1,000] | 0.6 [0.6] |



Wire / rope grip, large

For securing wire and rope. The sample wraps around the bollard and the loose end is secured by an adjustable jaw. Integrated eye end.

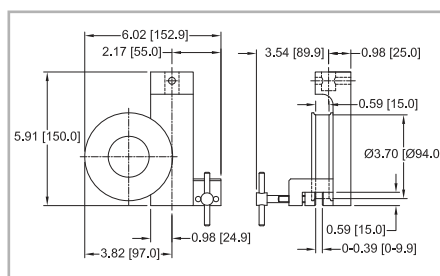
| Model No. | Capacity lbF [N] | Weight lb [kg] |
|-----------|------------------|----------------|
| G1102 | 1,000 [5,000] | 1.8 [0.8] |



Wire / rope grip, high capacity

For high capacity wire and rope pull testing applications. Secures the free end of the sample via a bollard and vise. Integrated eye end.

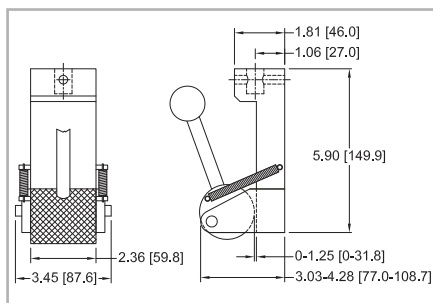
| Model No. | Capacity lbF [kN] | Weight lb [kg] |
|-----------|-------------------|----------------|
| G1092 | 2,000 [9] | 6.0 [2.7] |



High capacity eccentric roller grip

Features a serrated cam for effectively securing wires, plastics, textiles, and other materials in pull testing applications. Integrated eye end.

| Model No. | Capacity lbF [kN] | Weight lb [kg] |
|-----------|----------------------|-------------------|
| G1094 | 2,000 [9] | 7.4 [3.4] |



Compression / Bend / Push

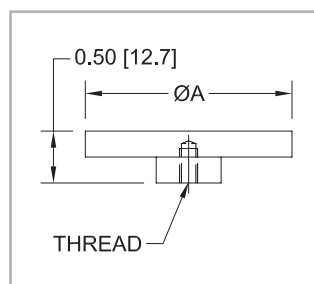
Compression plates

For compressing springs, foams, cartons, aerosol cans, and many other products.

| Model No. | Cap. lbF [N] | Weight lb [kg] | ØA | Thread | Material |
|-----------|-----------------|-------------------|---------------|-------------|----------|
| G1009 | 200 [1,000] | 0.08 [0.04] | 2.0 [51.0] | #10-32 UNF | Aluminum |
| G1009-1 | 500 [2,500] | 0.27 [0.12] | 3.0 [76.2] | 5/16-18 UNC | |

G1009 includes a #10-32 M/M stud with jam nuts

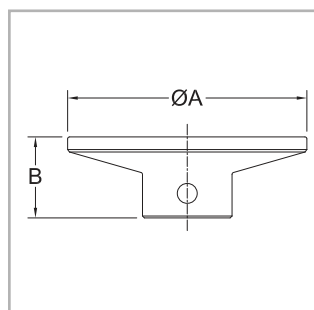
G1009-1 includes a 5/16-18M/M stud with jam nuts



High capacity compression plates

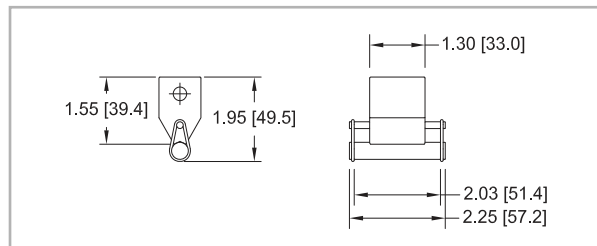
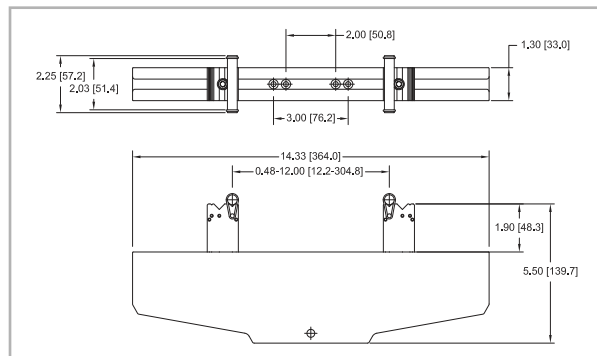
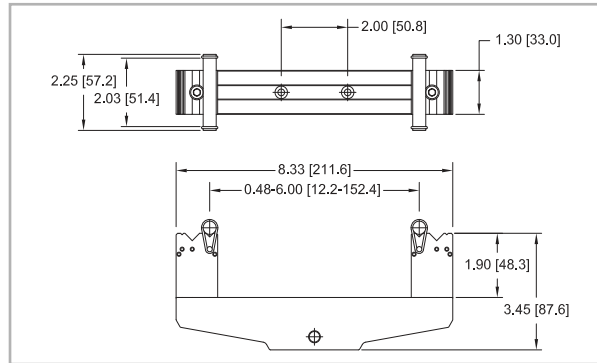
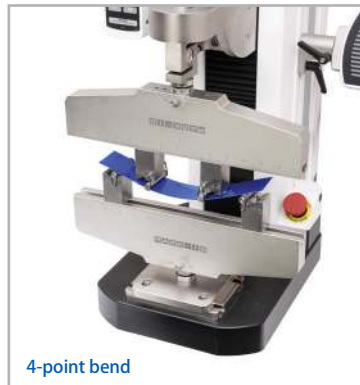
For compression spring testing, top load testing, and other applications. Integrated eye end.

| Model No. | Capacity lbF [kN] | Weight lb [kg] | ØA | B | Material |
|-----------|----------------------|-------------------|----------------|----------------|----------|
| G1087 | 2,000 [9] | 1.50 [55.9] | 3.78 [96.0] | 1.28 [32.5] | 303 SS |
| G1087-1 | 2,000 [9] | 0.63 [0.29] | 2.20 [55.9] | 1.18 [30.0] | |



Bend fixtures

Family of fixtures for 3-point and 4-point bend testing of plastics, metals, ceramics, tubing, and many other materials. Two base sizes are available, along with an upper anvil, and optional roller diameters. Use a base-anvil combination for 3-point bend testing or two bases for 4-point bend testing.



| Model No. | Capacity lbF [kN] | Weight lb [kg] | Housing material | Block material | Roller material | Includes |
|-----------|-------------------|----------------|------------------|----------------|------------------|------------------------------------|
| G1095 | 500 [2.5] | 3.0 [1.3] | 2024 Al | 303 SS | 416 SS, hardened | Two 10 mm dia. rollers and o-rings |
| G1096 | 2,000 [10] | 7.1 [3.2] | 2024 Al | 303 SS | 416 SS, hardened | Two 10 mm dia. rollers and o-rings |
| G1097 | 2,000 [10] | 0.5 [0.2] | 303 SS | - | 416 SS, hardened | 10 mm. dia. roller and o-rings |

Includes mounting hardware to mount to the following test stands: ESM303, ESM1500/750 (w/AC1055 plate), ES30, TSC1000, TSF, ES10/ES20 (w/AC1060 plate). May also be mounted via integrated eye end.

Optional Items

| Model No. | Description |
|-----------|--|
| AC1067 | Rollers for bend fixtures, 1 mm dia., set of 4 |
| AC1067-1 | Rollers for bend fixtures, 2 mm dia., set of 4 |
| AC1067-2 | Rollers for bend fixtures, 5 mm dia., set of 4 |

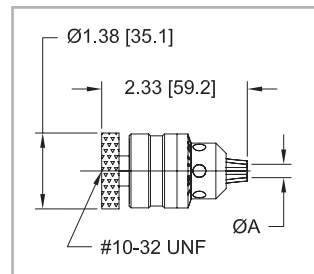


Jacobs chuck pin vises

For securing pins, round samples, and fixtures.

| Model No. | Capacity lbF [N] | Weight lb [kg] | ØA |
|-----------|------------------|----------------|---------------------------|
| G1010 | 30 lbF [150 N] | 0.35 [0.16] | 0.062 - 0.375 [1.6 - 9.5] |
| G1010-1 | | 0.25 [0.11] | 0.028 - 0.25 [0.7 - 6.3] |
| G1010-2 | | 0.66 [0.30] | 0.078 - 0.5 [2.0 - 12.7] |

Includes a #10-32 M/M stud with jam nuts

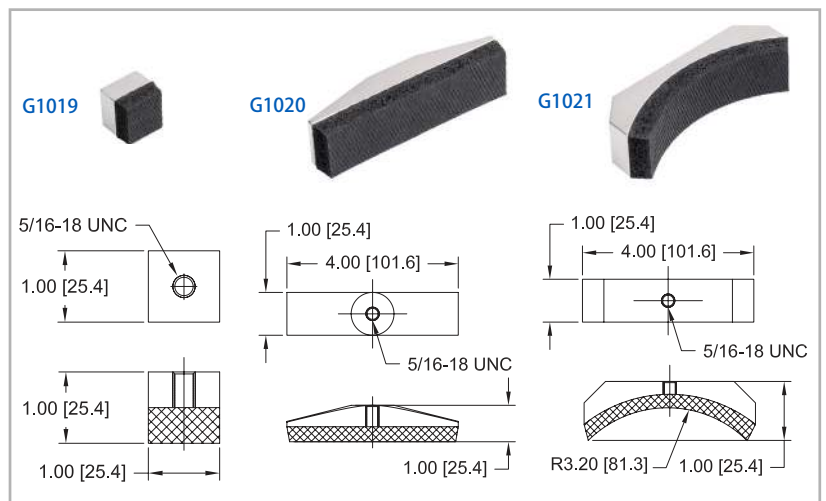


Padded attachments

For applications in physical therapy and ergonomics, including muscle strength testing, job task requirements, and more.

| Model No. | Capacity lbF [N] | Weight lb [kg] |
|-----------|------------------|----------------|
| G1019 | 500 [2,500] | 0.03 [0.01] |
| G1020 | 500 [2,500] | 0.13 [0.06] |
| G1021 | 500 [2,500] | 0.25 [0.11] |

Includes a 5/16-18M to #10-32F adapter and #10-32 M/M stud with jam nuts

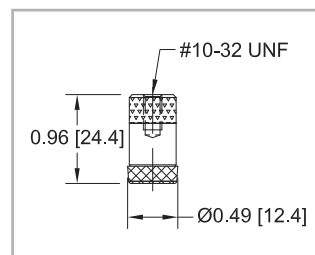


Rubber tip

Simulates a finger for testing pushbuttons, membrane switches, touch-screen panels, keyboards, etc.

| Model No. | Capacity lbF [N] | Weight lb [kg] |
|-----------|------------------|----------------|
| G1011 | 50 [250] | 0.01 [0.004] |

Includes a #10-32 M/M stud with jam nuts



Syringe compression fixture

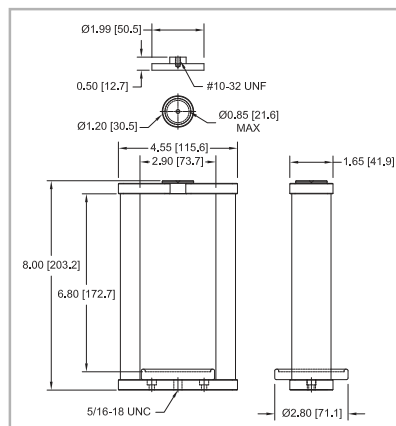
For testing compression force of a syringe plunger, as per ISO 7886-1 and other relevant standards.

Consists of:

1. Frame
2. Replaceable blank inserts (4)
3. Cup tray
4. G1009 compression plate

| Model No. | Capacity lbF [N] | Weight lb [kg] |
|-----------|---------------------|-------------------|
| G1089 | 100 [500] | 1.89 [0.86] |

Includes 5/16-18 M/M stud with jam nuts



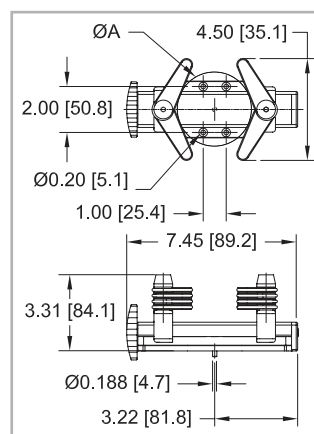
Torque / Force

Universal bottle grip

For gripping bottles and containers in closure torque testing applications. Eight rubber edged gripping arms secure a wide range of sample shapes and sizes and may be individually positioned at angles up to 180°. Mounts directly to Series TST torque test stands, most force test stands, and G1045 90° peel fixture for applications such as top load testing and 90° peel testing.

| Model No. | Capacity lbFin [Nm] | Weight lb [kg] | ØA |
|-----------|------------------------|-------------------|------------------|
| G1023 | 100 [11.3] | 1.50 [0.7] | 4.80 [122.0] MAX |

| Model No. | Description |
|-----------|--|
| G1068 | Adapter, G1023 to force test stand / G1045 fixture |



G1023 includes mounting hardware for Series TST test stands or G1068 adapter.

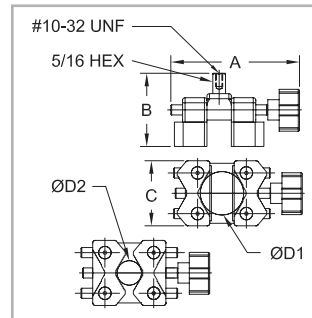
G1068 includes mounting hardware for the G1023 fixture and the following test stands: ESM303, ESM1500/750 (w/AC1055 plate), ES30, TSC1000, TSF, ES10/ES20 (w/ AC1060 plate)

Universal V-jaw grip

For gripping round objects. Serrated, reversible aluminum jaws effectively grip a wide range of sample shapes and sizes. Mounts directly to Jacobs chucks, force gauges, and test stands.

| Model No. | Torque Capacity lbFin [Nm] | Force Capacity lbF [N] | Weight lb [kg] |
|-----------|-------------------------------|---------------------------|-------------------|
| G1053 | 100 [11.3] | 100 [500] | 0.39 [0.18] |

| A | B | C | ØD1* | ØD2* |
|---------------|---------------|---------------|------------------------------|------------------------------|
| 3.1 [78.7] | 2.0 [50.8] | 1.6 [40.6] | 1.10 - 1.55 [27.9 - 39.4] | 0.65 - 1.10 [16.5 - 27.9] |



* Reverse the jaws to switch from ØD1 to ØD2
Includes a #10-32 M/M stud with jam nuts

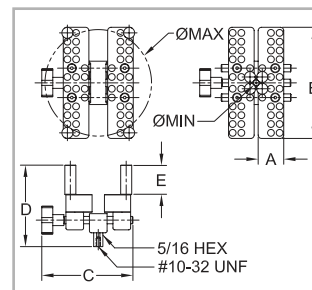
Universal cap grip

For securing caps, lids, and other similar items for torque and pull testing. Accommodates a wide range of sample sizes, and can be used manually with a torque gauge or mounted to a test stand.

| Model No. | Capacity | Weight lb [kg] |
|-----------|--|-------------------|
| G1058 | 100 lbFin [11.3 Nm] or 50 lbF [250 N] | 0.65 [0.29] |

| A | B | C | D | E | ØMIN - ØMAX |
|---------------|---------------|---------------|---------------|---------------|-----------------------------|
| 0.9 [22.9] | 3.8 [96.5] | 3.2 [81.3] | 2.8 [71.1] | 1.0 [25.4] | 0.20 - 3.50 [5.1 - 89.0] |

Includes #10-32 M/M stud with jam nuts

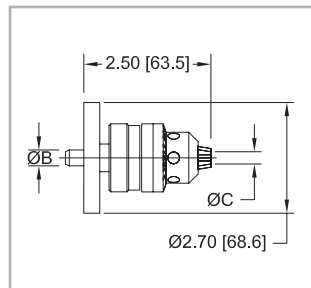


Jacobs chuck grips

For securing round samples, fixtures, or bits in torque applications.

| Model No. | Capacity lbF [N] | Weight lb [kg] | ØA | ØB | ØC |
|-----------|------------------------|----------------|-----|----------------|------------------------------|
| G1022-1 | 100 lbFin [11.3 Nm] | 0.50 [0.23] | N/A | 0.188 [4.7] | 0.028 - 0.250 [0.7 - 6.3] |
| G1022-2 | | | | | 0.062 - 0.375 [1.6 - 9.5] |
| G1022-3 | | | | | 0.078 - 0.500 [2 - 12.7] |

Includes mounting hardware for Series TST torque test stands

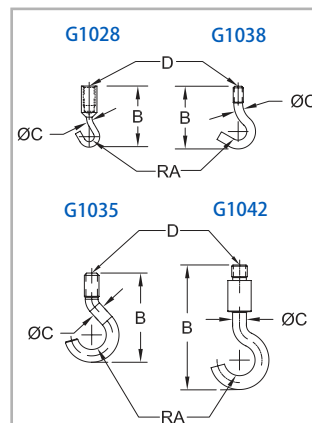


Basic Attachments & Adapters

Hooks

For general pull testing applications.

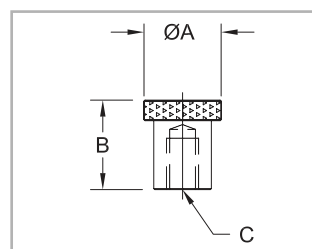
| Model No. | Capacity lbF [N] | Weight | RA | B | ØC | D |
|-----------|------------------|------------------|---------------|-----------------|----------------|----------|
| G1028 | 20 [100] | 0.010 [0.005] | 0.05 [1.3] | 1.00 [25.4] | 0.10 [2.5] | #10-32F |
| G1038 | 200 [1,000] | 0.020 [0.009] | 0.20 [5.1] | 1.50 [38.1] | 0.19 [4.8] | #10-32M |
| G1035 | 500 [2,500] | 0.050 [0.023] | 0.30 [7.6] | 1.90 [48.3] | 0.28 [7.1] | 5/16-18M |
| G1042 | 1,000 [4500] | 0.320 [0.145] | 0.5 [12.7] | 4.10 [104.1] | 0.45 [11.4] | 1/2-20M |



Flat heads

For compression testing of buttons, small springs, membrane switches, etc.

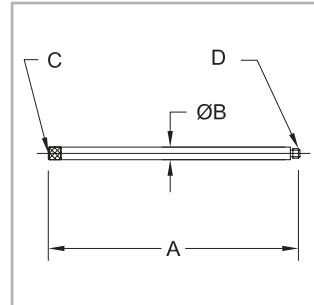
| Model No. | Capacity lbF [N] | Weight lb [kg] | ØA | B | C |
|-----------|------------------|----------------|-------------|-------------|----------|
| G1029 | 200 [1,000] | 0.01 [0.005] | 0.5 [12.7] | 0.5 [12.7] | #10-32F |
| G1036 | 500 [2,500] | 0.06 [0.027] | 0.75 [19.1] | 0.87 [22.1] | 5/16-18F |



Extension rods

For use between force gauge, grips, and attachments. Suitable for tension and compression applications.

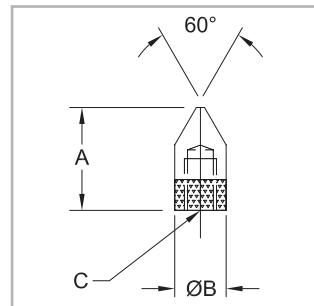
| Model No. | Capacity lbF [N] | Weight lb [kg] | A | ØB | C | D |
|-----------|------------------|----------------|-------------|----------------|----------|----------|
| G1024 | 200 [1,000] | 0.05 [0.023] | 5.0 [127.0] | 0.25 [6.4] | #10-32F | #10-32M |
| G1024-1 | | 0.02 [0.009] | 2.0 [50.8] | | | |
| G1024-2 | | 0.01 [0.005] | 1.0 [25.4] | | | |
| G1031 | 500 [2,500] | 0.25 [0.113] | 5.0 [127.0] | 0.50 [12.7] | 5/16-18F | 5/16-18M |
| G1031-1 | | 0.10 [0.045] | 2.0 [50.8] | | | |
| G1031-2 | | 0.25 [0.113] | 1.0 [25.4] | | | |



Chisel points

For compression testing applications.

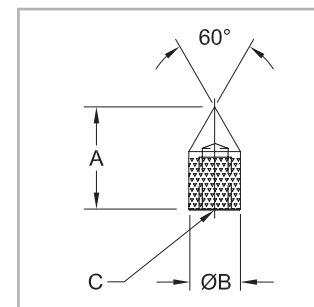
| Model No. | Capacity lbF [N] | Weight lb [kg] | A | ØB | C |
|-----------|------------------|------------------|----------------|----------------|----------|
| G1025 | 200 [1,000] | 0.003 [0.001] | 0.50 [12.7] | 0.25 [6.4] | #10-32F |
| G1032 | 500 [2,500] | 0.040 [0.018] | 1.00 [25.4] | 0.50 [12.7] | 5/16-18F |



Cone points

For various compression and puncture testing applications.

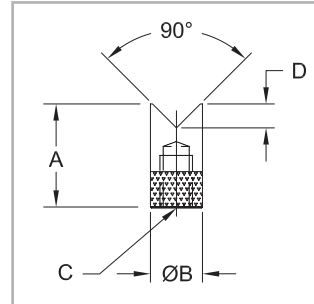
| Model No. | Capacity lbF [N] | Weight lb [kg] | A | ØB | C |
|-----------|------------------|------------------|----------------|----------------|----------|
| G1026 | 200 [1,000] | 0.003 [0.001] | 0.50 [12.7] | 0.25 [6.4] | #10-32F |
| G1033 | 500 [2,500] | 0.030 [0.014] | 1.00 [25.4] | 0.50 [12.7] | 5/16-18F |



V-grooves

For compression testing of round or odd-shaped samples.

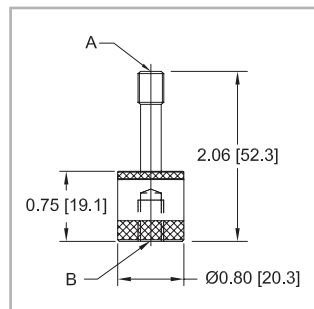
| Model No. | Capacity lbF [N] | Weight lb [kg] | A | ØB | C | D |
|-----------|------------------|----------------|-------------|-------------|----------|------------|
| G1027 | 200 [1,000] | 0.004 [0.002] | 0.50 [12.7] | 0.25 [6.4] | #10-32F | 0.08 [2.0] |
| G1034 | 500 [2,500] | 0.040 [0.018] | 1.00 [25.4] | 0.50 [12.7] | 5/16-18F | 0.25 [6.4] |



Swivel adapters

For use between grips and force gauges to provide a swiveling action for proper sample alignment.

| Model No. | Capacity lbF [N] | Weight lb [kg] | A | B |
|-----------|------------------|----------------|----------|----------|
| G1018-1 | 200 [1,000] | 0.12 [0.05] | #10-32M | #10-32F |
| G1018-2 | 500 [2,500] | 0.27 [0.12] | 5/16-18M | 5/16-18F |



Thread adapters & couplings

For use between gauges, load cells, test stands grips, and attachments. Suitable for tension and compression applications.

| Model No. | Capacity lbF [N] | Length | Thread A | Thread B |
|-----------|---------------------|---|-------------|----------|
| G1050 | 100 [500] | 0.75 [19.1] | #4-40M | #10-32F |
| G1051 | | 0.55 [14.0] | #4-40M | #10-32M |
| G1039 | 200 [1,000] | 0.75 [19.1] | #10-32F | #10-32F |
| G1030 | | 0.50 [12.7] | 5/16-18M | #10-32F |
| G1057 | | 1.00 [25.4] | #10-32F | M6F |
| G1060 | | 0.50 [12.7] | #10-32M | #10-32M |
| G1047 | | 0.75 [19.1] | #10-32M | M4F |
| G1048 | | 0.75 [19.1] | M4M | #10-32F |
| G1054 | | 0.75 [19.1] | M6M | #10-32F |
| G1063 | | 1.30 [33.0] | #10-32M | 5/16-18F |
| G1040 | | 0.92 [23.4] | 5/16-18M | 5/16-18M |
| G1037 | | 500 [2,500] | 1.00 [25.4] | 5/16-18F |
| G1049 | 1.25 [31.8] | | M6M | 5/16-18F |
| G1059 | 1.13 [28.7] | | 5/16-18F | 1/2-20F |
| G1041 | 1.06 [26.9] | | 1/2-20M | 5/16-18M |
| G1066 | 0.75 [19.1] | | 5/16-18F | 1/2-20M |
| G1067 | 0.75 [19.1] | | 1/2-20F | 10-32M |
| G1069 | 1.25 [31.8] | | 5/16-18F | 1/4-28M |
| G1091 | 1.30 [33.0] | | 1/2-20F | 1/2-20F |
| G1044 | 1,000 [5,000] | Adapter plate, 1/2-20F. Compatible with the following test stands: ESM303, ESM1500 (w/AC1055 plate), TSF, TSB100, TSC1000, and ES10/ES20 (w/AC1060 plate). Mounting hardware included. Pictured at right. | | |



G1044